

# Type 4 barn door tracker

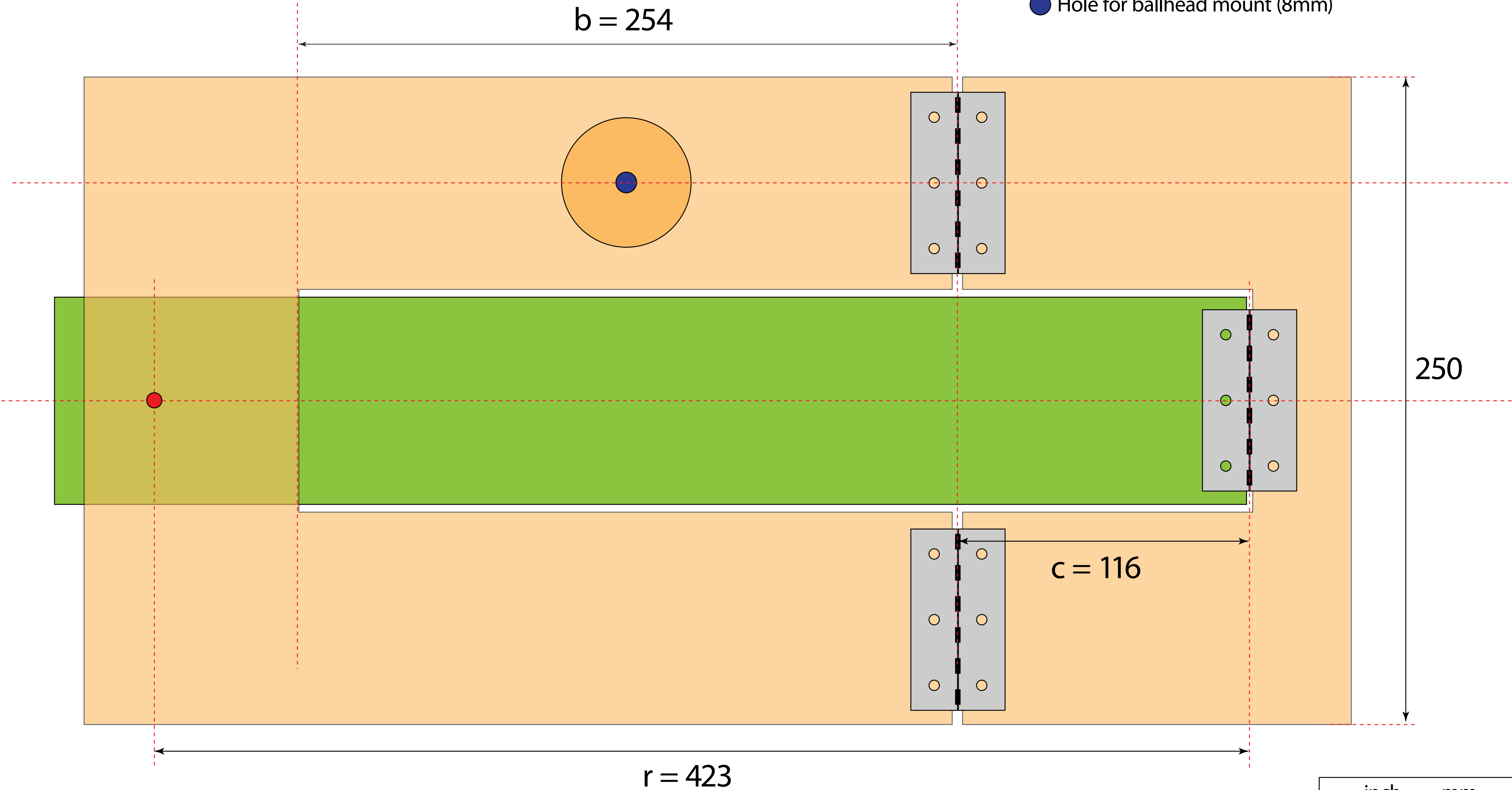
Building plans • Scale 1:1



# Platform topview

Scale 1:1

- Camera platform
- Drive arm
- 6mm (1/4") - 20 drive rod
- Hole for ballhead mount (8mm)



	inch	mm
r	16.656	423.06
b	10.000	254.00
c	4.575	116.21

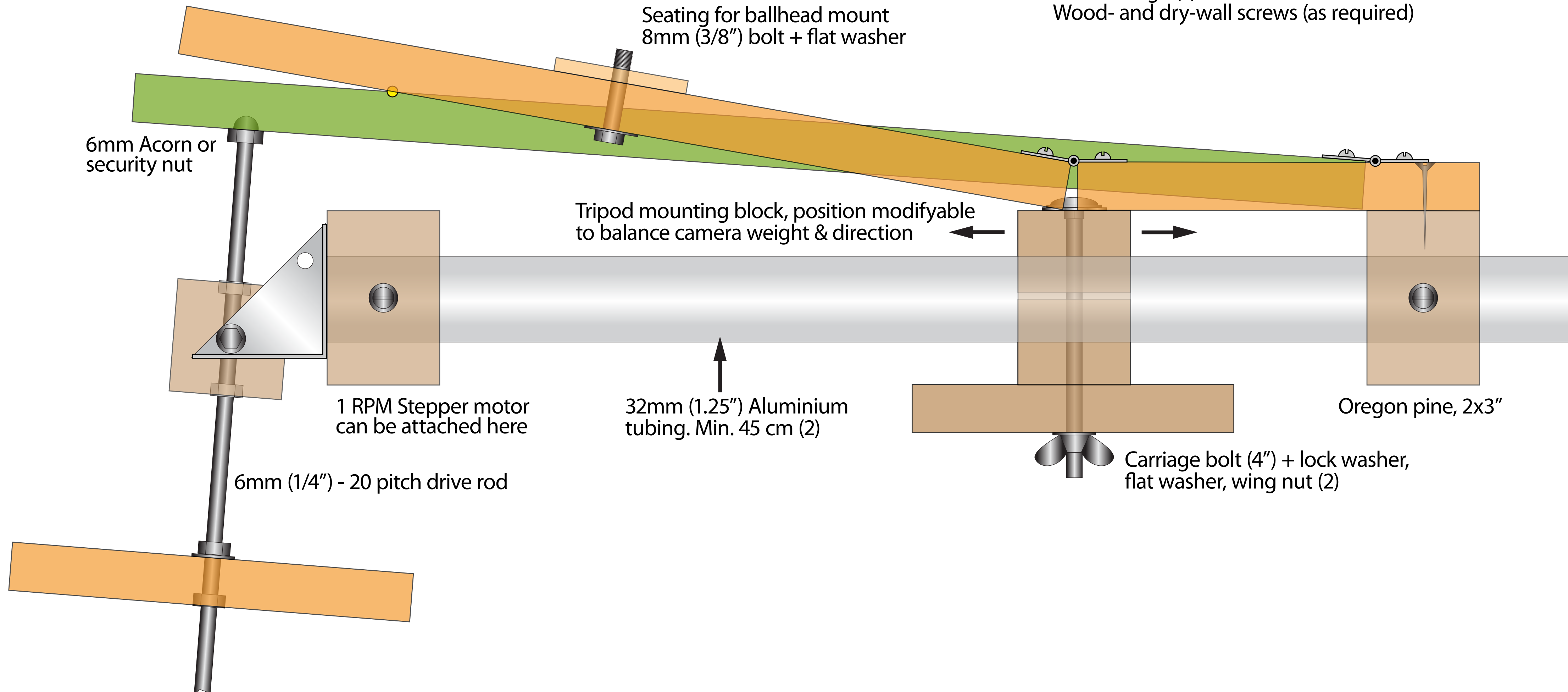
Original design by Dave Trott, <http://davetrott.com/inventions/double-arm-barn-door-drive/>

# Lateral view

## Scale 1:1

- Camera platform
- Drive arm
- Contact point

Miscellaneous materials  
 6mm Slotted machine screws + nuts (4)  
 6mm Flat washer (8),  
 75mm Hinge (3)  
 Wood- and dry-wall screws (as required)

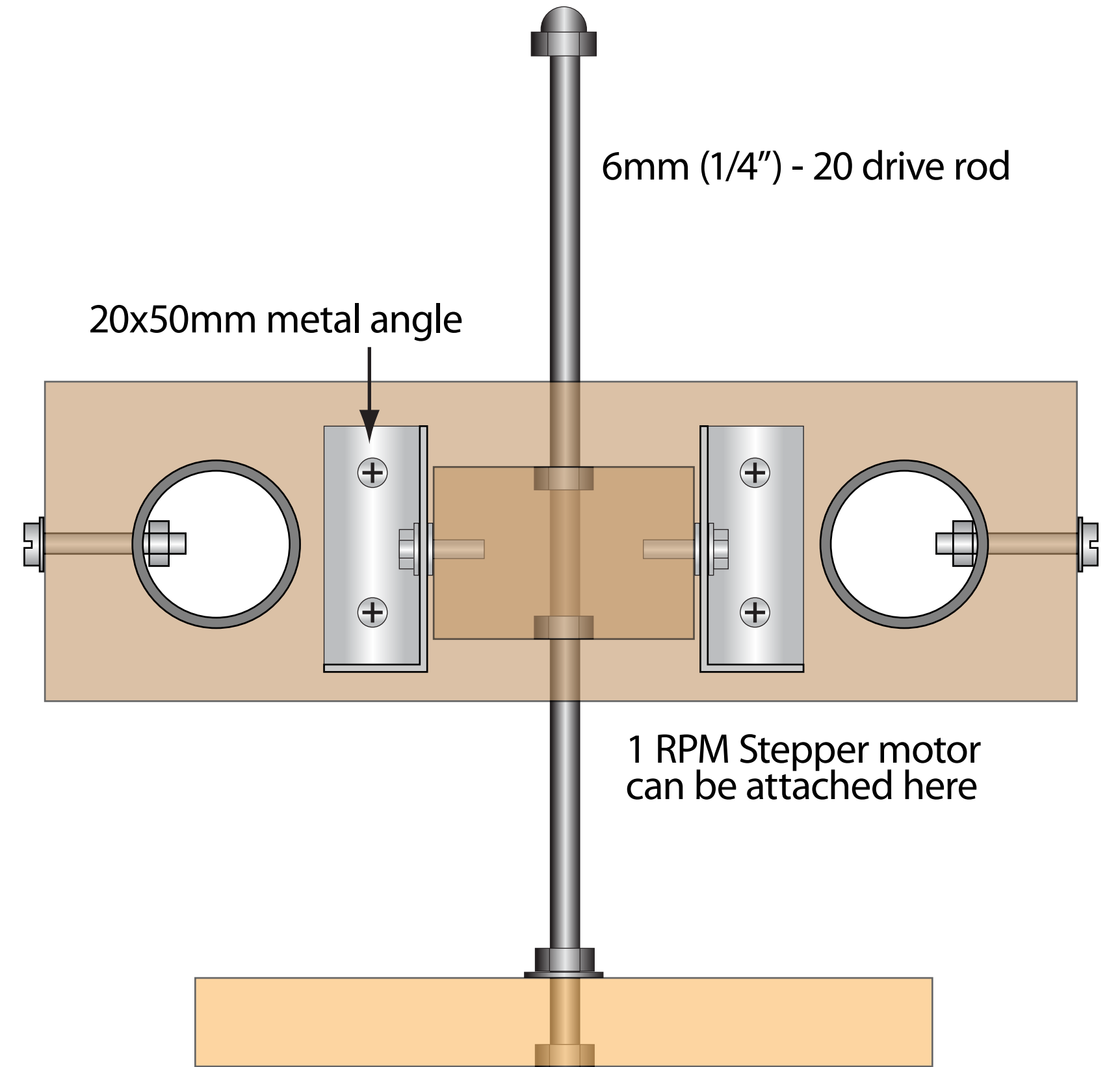
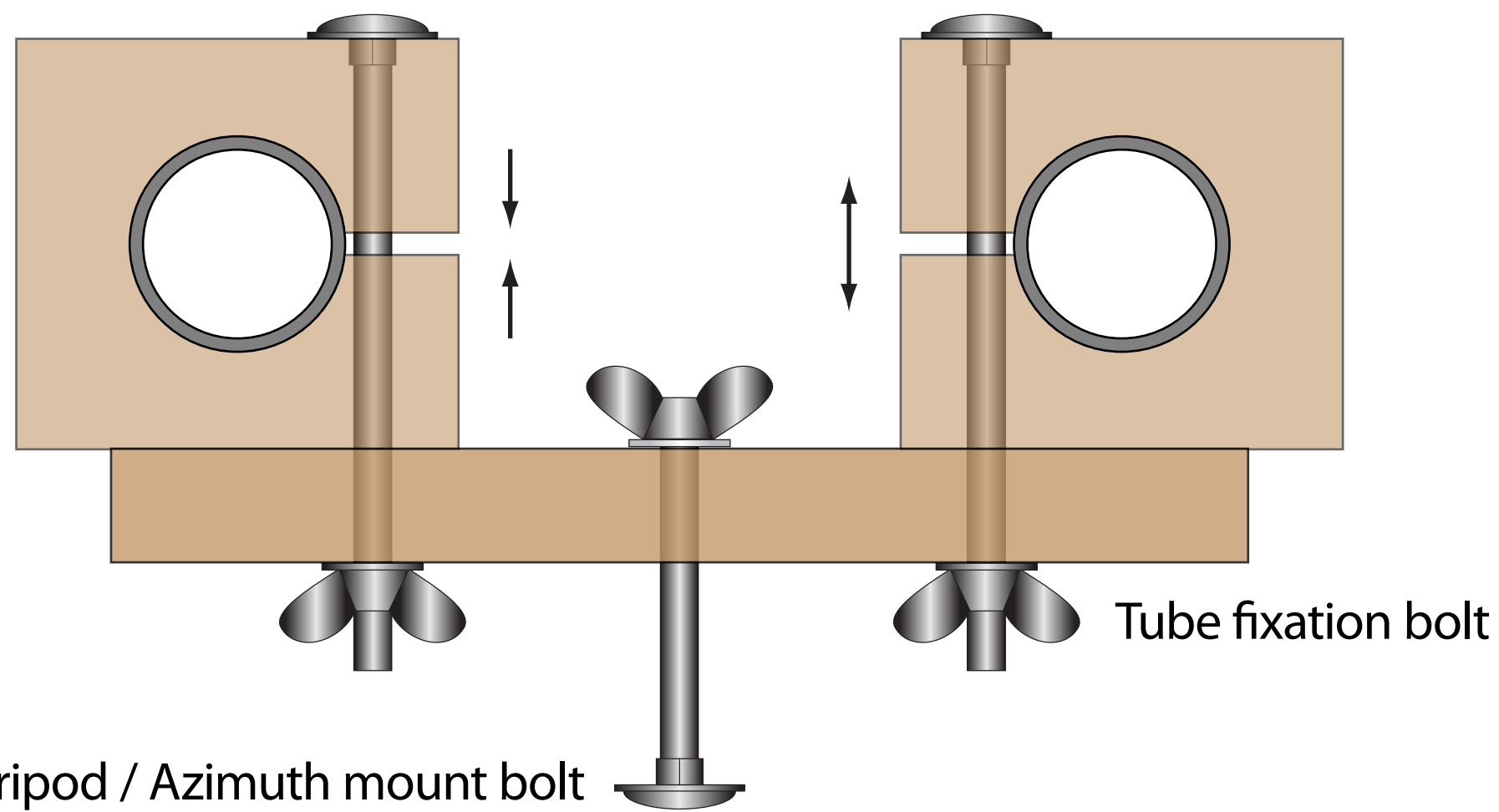
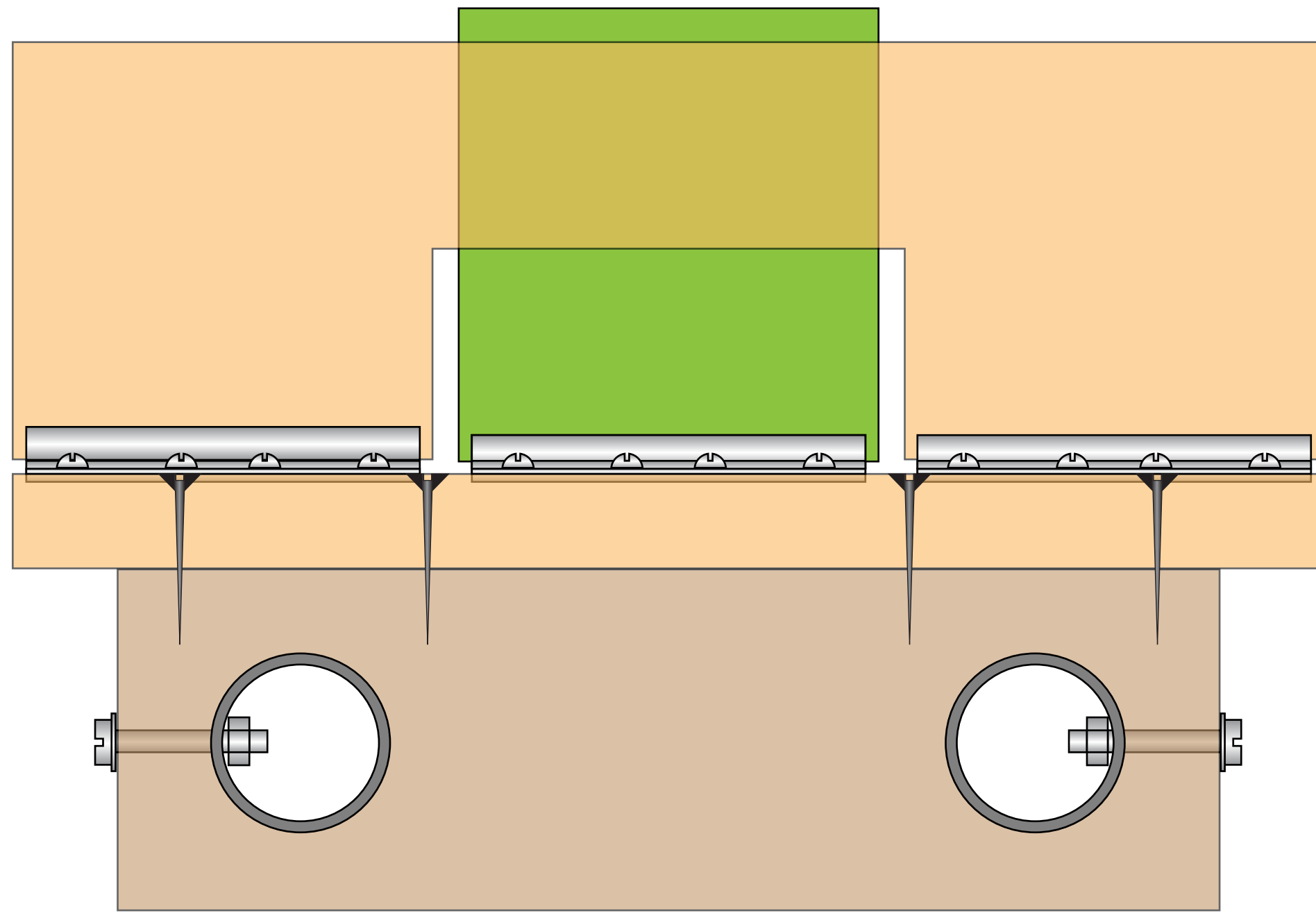


	inch	mm
r	16.656	423.06
b	10.000	254.00
c	4.575	116.21

# Front view

## Scale 1:1

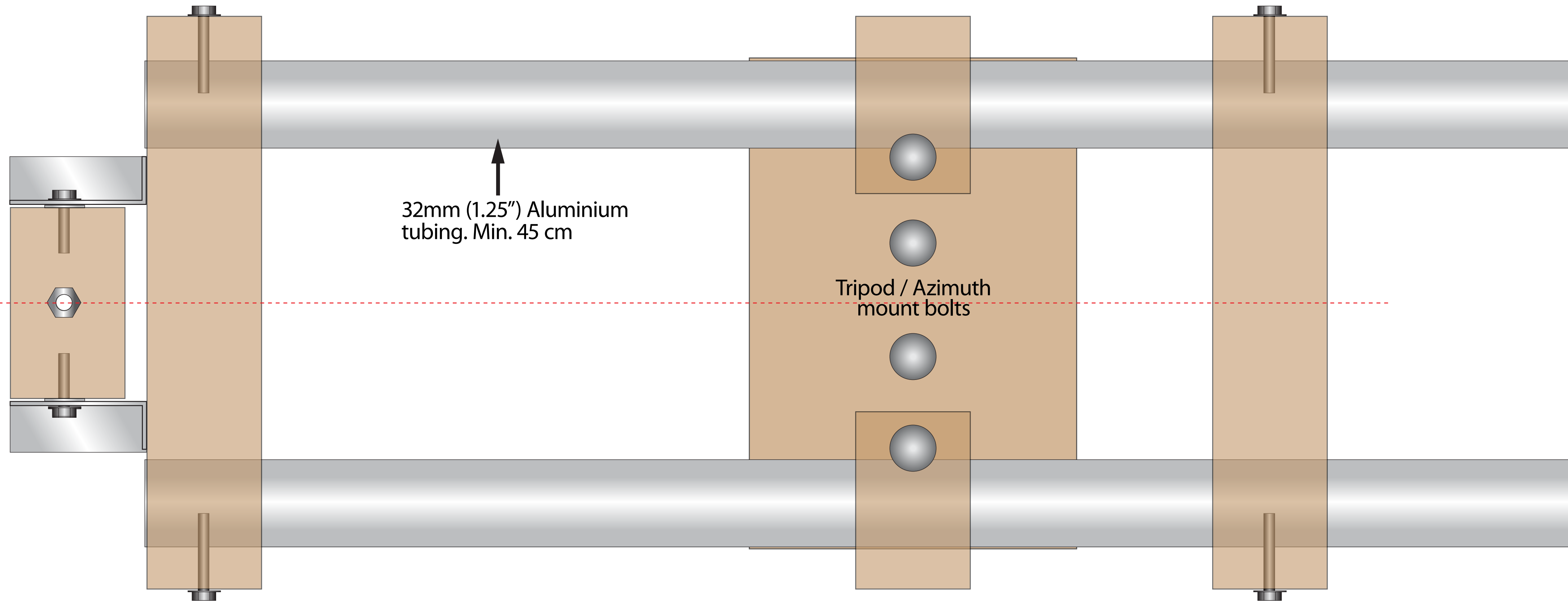
- Camera platform
- Drive arm



	inch	mm
r	16.656	423.06
b	10.000	254.00
c	4.575	116.21

# Top view support platform

Scale 1:1



	inch	mm
r	16.656	423.06
b	10.000	254.00
c	4.575	116.21