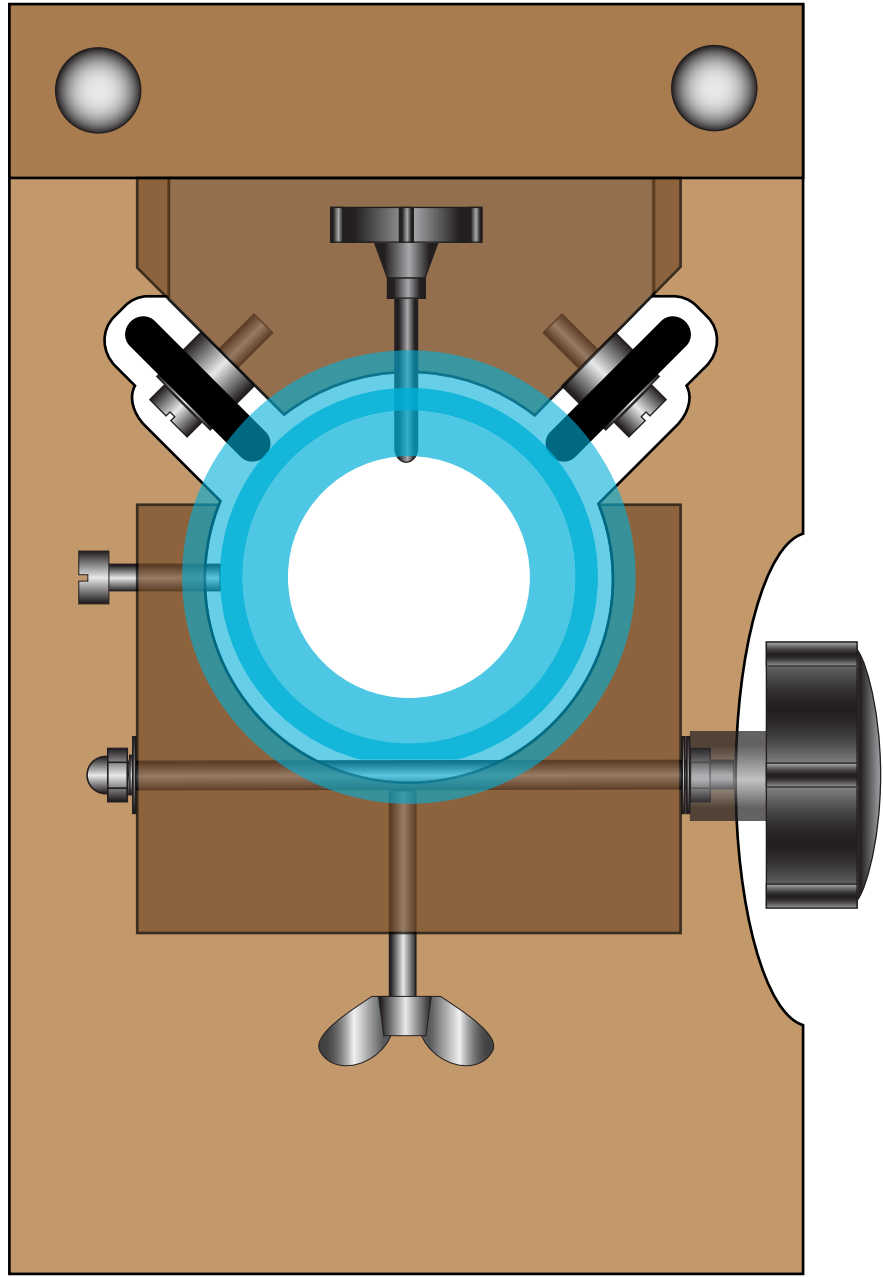
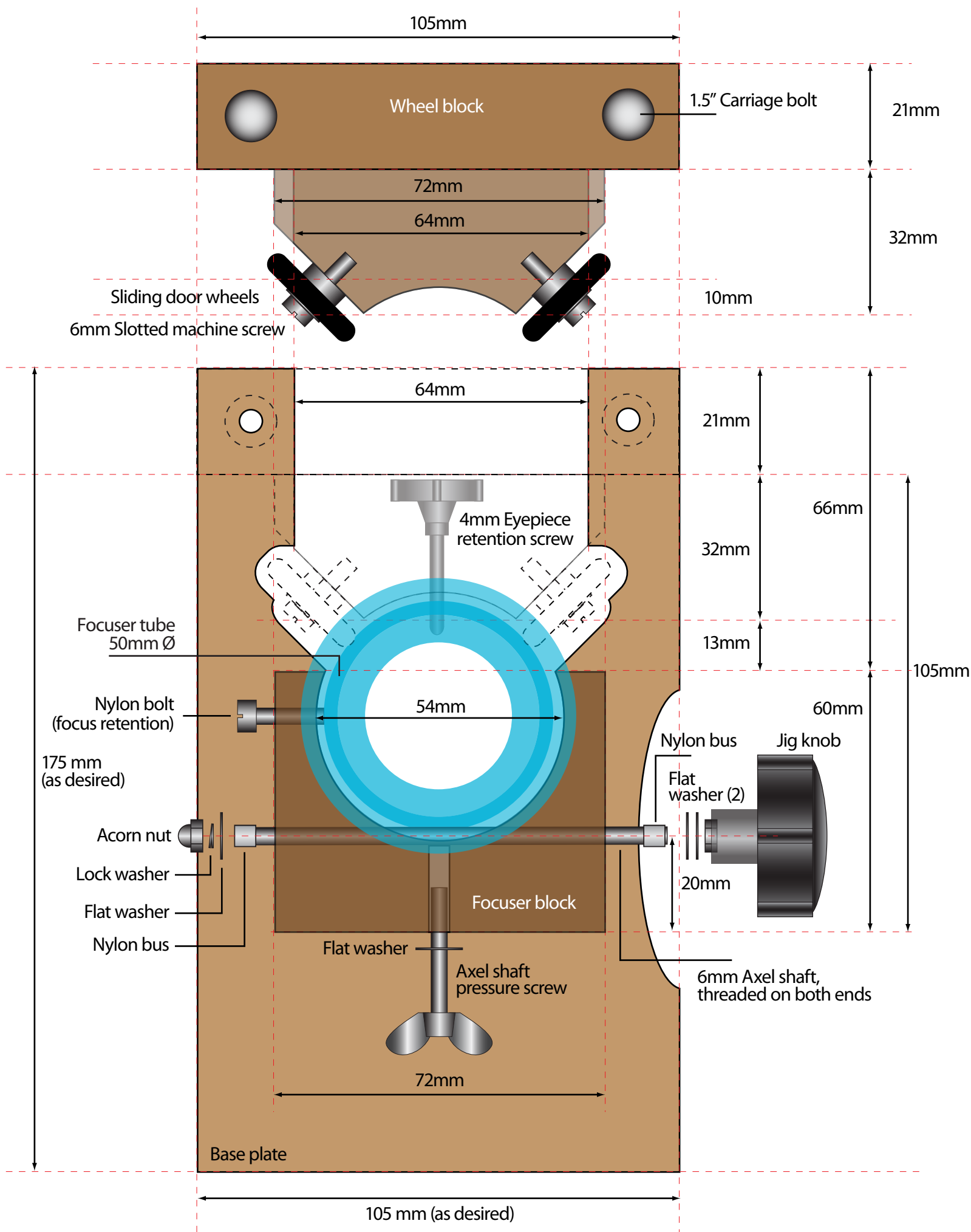
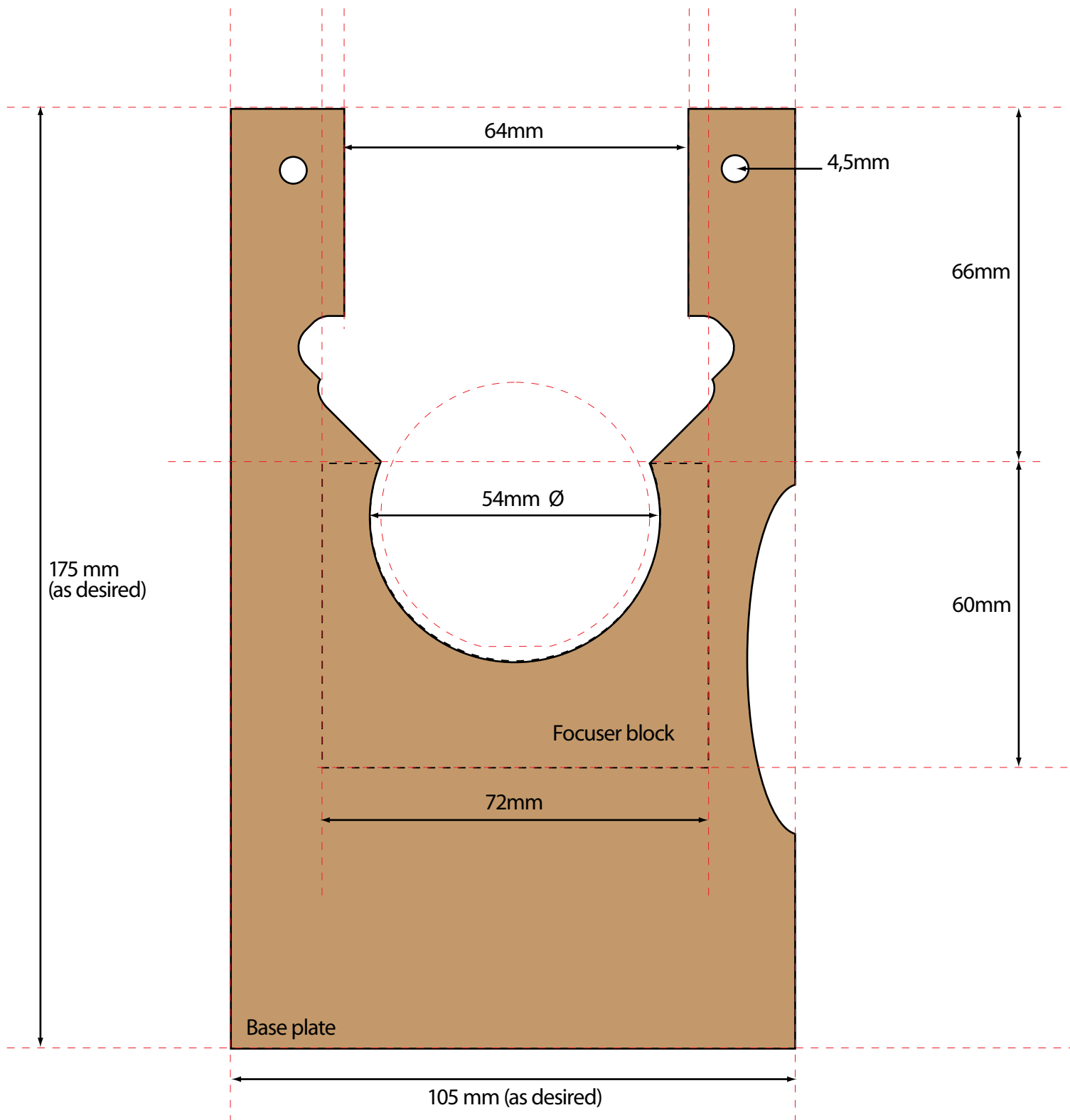


Scale: 1:1

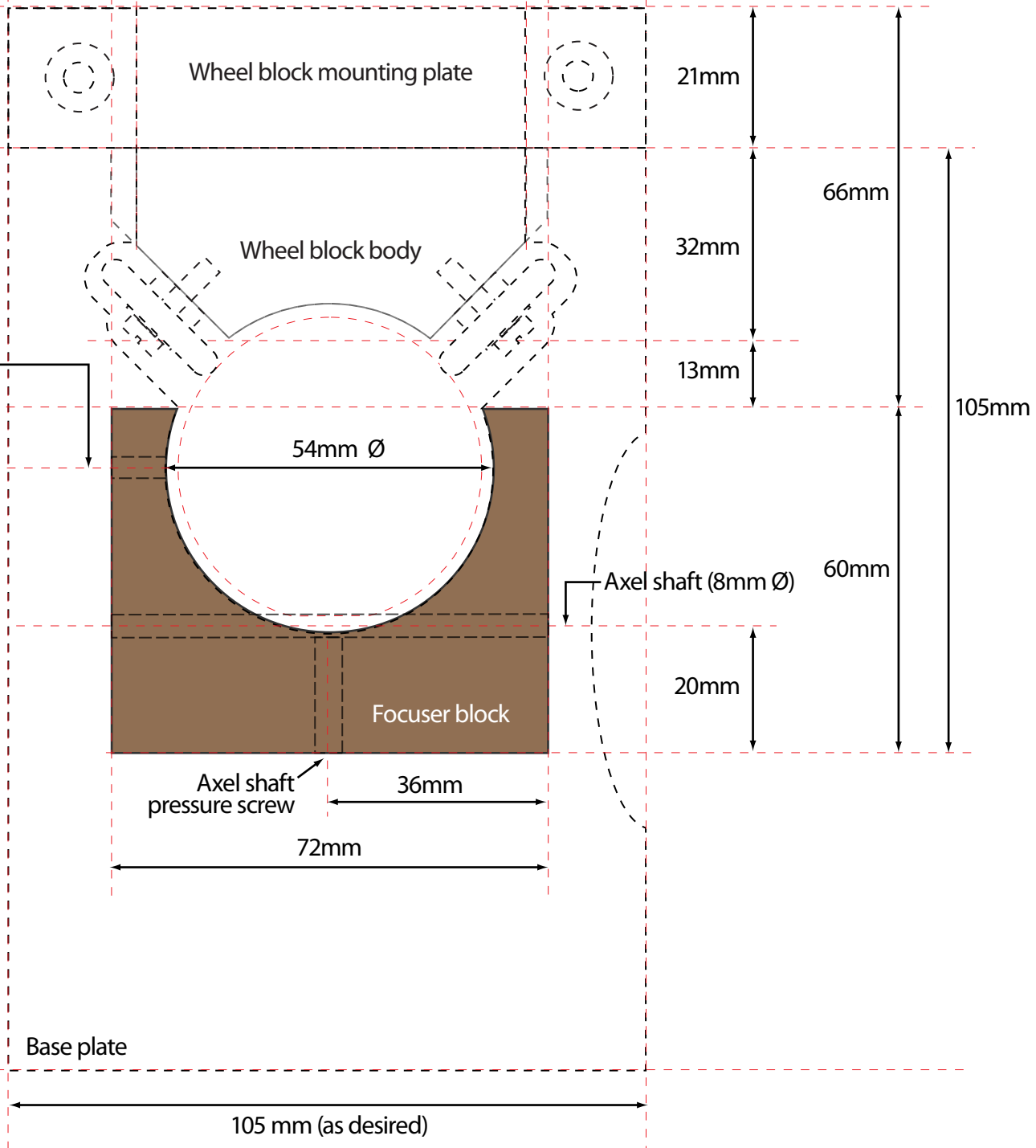
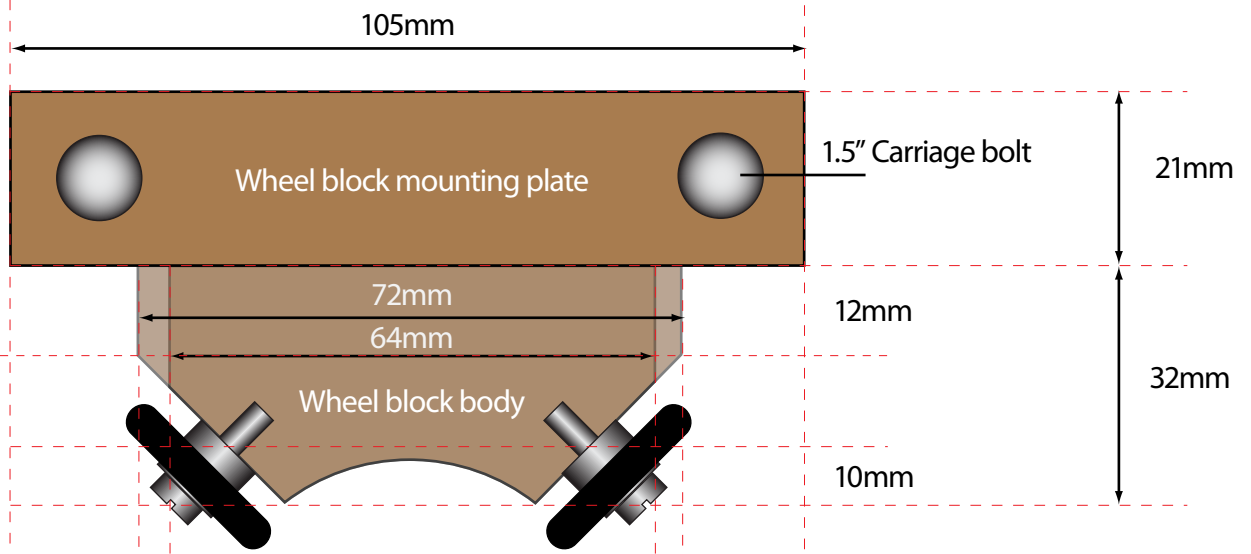




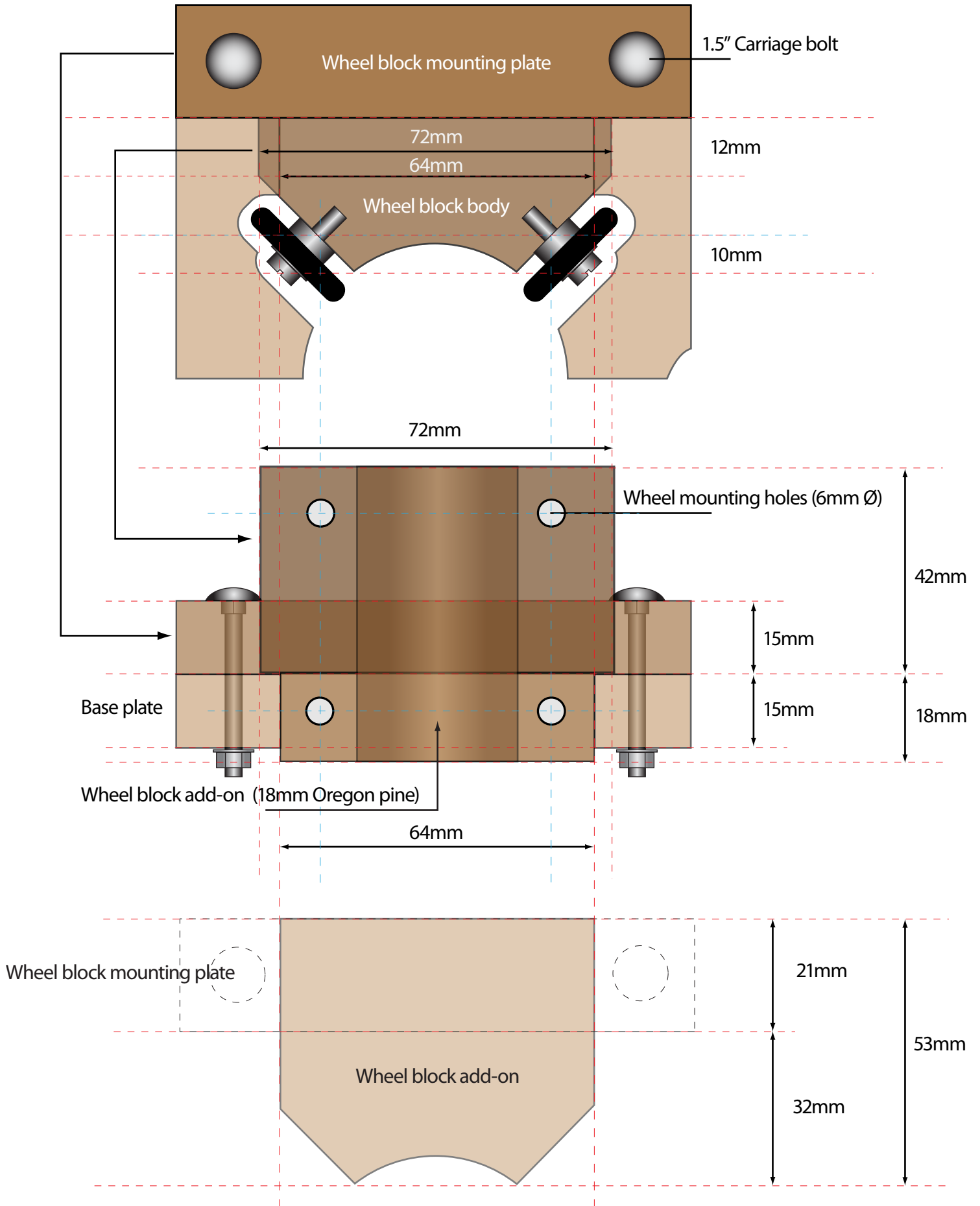
Base plate

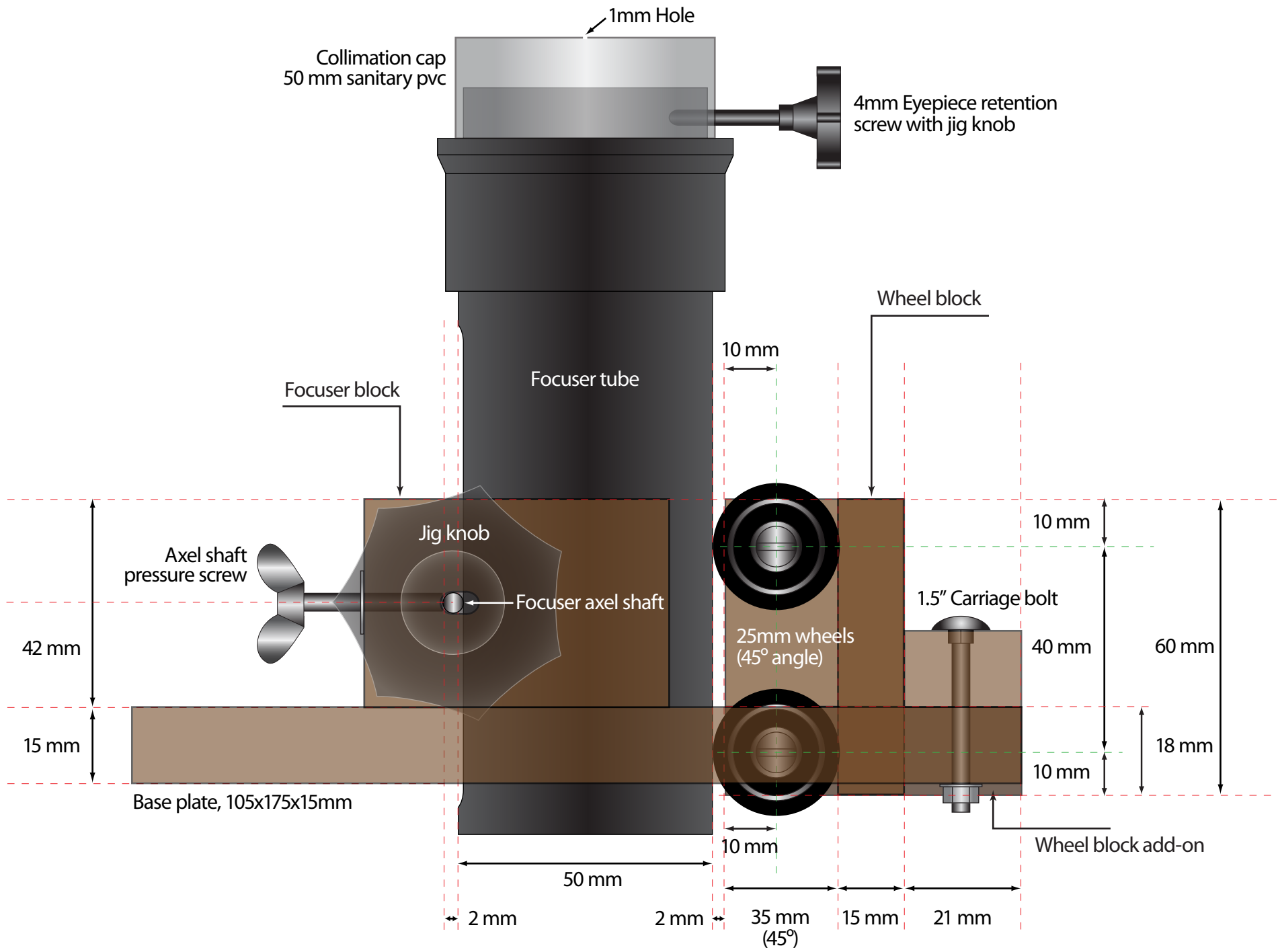


Focuser body

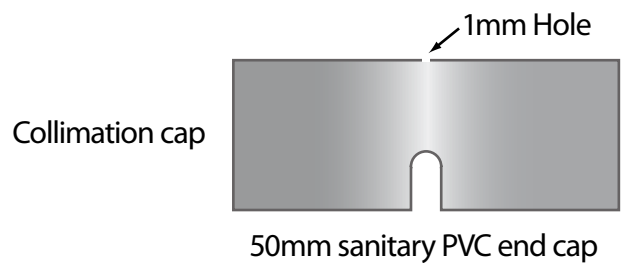
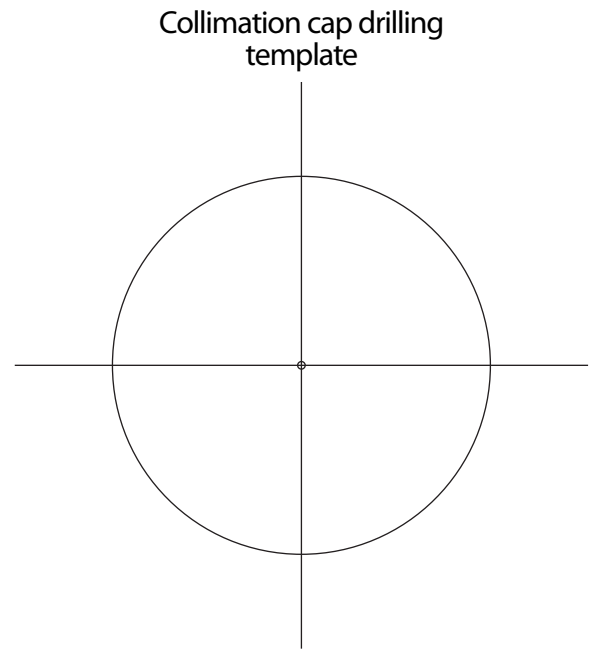
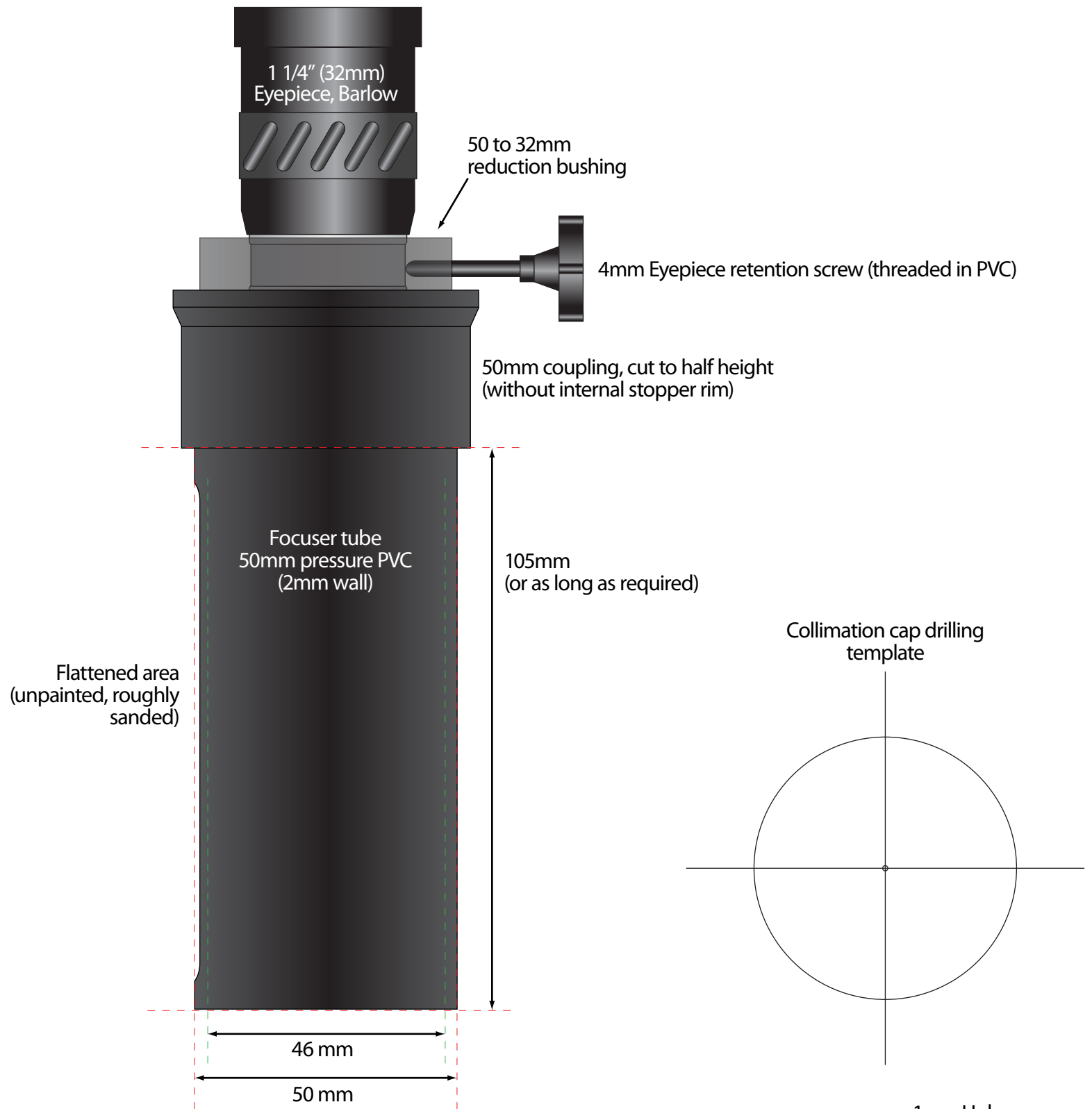


Focuser wheel block body (top & front)





Focusing tube & colimation cap



Spray-paint black matte, inside and outside
(At least 3 layers, 5 is better on the outside)